

# TVI THERMOPLASTIC VALVES INC.

## ARRANGEMENT DRAWING TRUE UNION Y SEDIMENT STRAINER

**SIZE:**

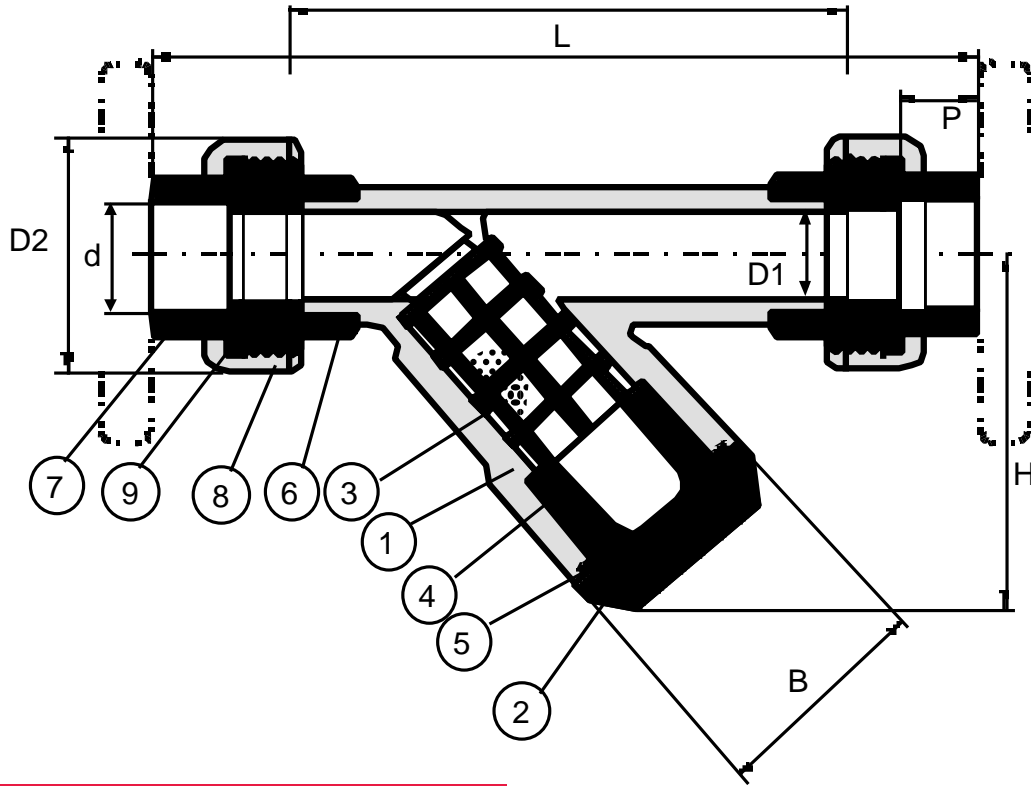
**DWN BY  
CKP**

**DATE  
1-96**

**DWG NO.  
110-YDS**

**CERTIFIED**

**CORRECT FOR GENERAL DIMENSIONS** Date \_\_\_\_\_ Per: \_\_\_\_\_



### Materials of Construction

Item	Parts	Pcs	Materials	Item	Parts	Pcs	Materials
1	Body	1	PVC	6	Union End	1	PVC
2	Lid	1	PVC	7	Connector	2	PVC
3	Screen	1	PVC	8	Union Nut	2	PVC
4	Body O-Ring	1	EPDM, VITON®	9	Union O-Ring	2	EPDM, VITON®
5	Cap O-Ring	1	EPDM, VITON®				

VITON® is a trademark of DuPont Performance Elastomers

### Ansi Dimensions

Size Inch	D <sub>1</sub>	D <sub>2</sub>	SOC/THD	L FLANGE	P	SOCKET d	THREAD	H	Unit: inch B	Working Pressure (PSI)
1/2"	0.59	1.81	8.0	9.25	0.875	0.840	NPT 1/2"	2.36	1.22	150
3/4"	0.79	2.40	9.5	10.75	1.000	1.050	NPT 3/4"	2.83	1.57	150
1"	1.02	2.64	10.5	12.0	1.125	1.315	NPT 1"	3.43	1.89	150
1 1/4"	1.26	3.35	11.93	13.7	1.250	1.660	NPT 1 1/4"	3.80	2.17	150
1 1/2"	1.57	3.35	12.62	14.4	1.375	1.900	NPT 1 1/2"	4.92	2.76	150
2"	1.97	3.90	14.0	15.75	1.500	2.375	NPT 2"	5.91	2.23	150

Testing performed on PVC/EPDM valves at 73°F water temperature, non-shock.