

# TVI THERMOPLASTIC VALVES INC.

## ARRANGEMENT DRAWING HORIZONTAL SWING CHECK VALVE

SIZE: 3/4" - 8"

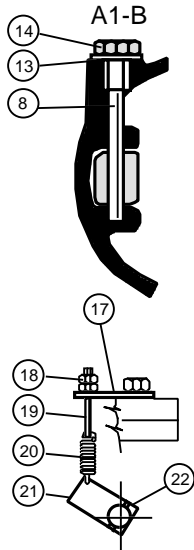
DWN BY  
CKP

DATE  
1-96

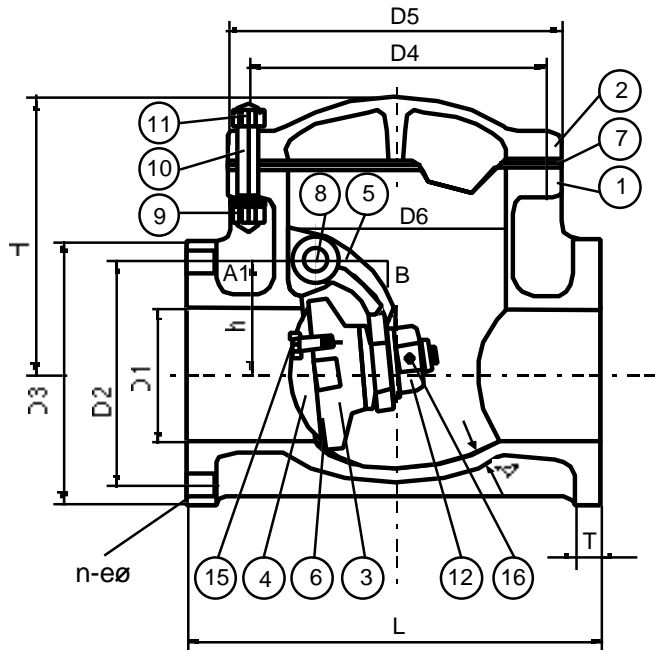
DWG NO.  
105-HSCV

CERTIFIED

CORRECT FOR GENERAL DIMENSIONS Date \_\_\_\_\_ Per: \_\_\_\_\_



Adjustable  
Spring  
Assist  
Option



### Materials of Construction

Item	Parts	Pcs	Materials
1	Body	1	PVC,PP,PPG,PVDF
2	Bonnet	1	PVC,PP,PPG,PVDF
3	Disc	1	PVC,PP,PPG,PVDF
4	Sheet Gasket Holder	1	PVC,PP,PPG,PVDF
5	Swing Arm	1	PVC,PP,PPG,PVDF
6	Disc Gasket	1	EPDM,VITON®TFE
7	Bonnet Gasket	1	EPDM,VITON®
8	Shaft	1	PVC,PP,PPG,PVDF
9	Washer	1"- 3"	6 sets SUS304
10	Bolts	4"- 8"	8 sets SUS304
11	Nuts		SUS304

Item	Parts	Pcs	Materials			
12	Disc Holder	1	PVC,PP,PPG,PVDF			
13	O-ring	1	EPDM,VITON®			
14	Shaft Holder	1	PVC,PP,PPG,PVDF			
15	Set Bolts	1"- 2" 5"- 6"	1 4	2 1/2"- 4" 8"	3 8	PVC, PP PPG, PVDF
16	Set Pin	1	PVC, PP, PPG, PVDF			
17	Bracket	1	316 Stainless Steel			
18	Nut	1	316 Stainless Steel			
19	Adjustment Stem	1	316 Stainless Steel			
20	Spring	1	316 Stainless Steel			
21	Lever	1	PVC			
22	Pin	1	316 Stainless Steel			

VITON® and TEFLON® are trademarks of DuPont Performance Elastomers

### Ansi Dimensions

Size Inch	D1	D2	D3	e	n No. of holes	D4	D5	D6	L	T	A	h	H	Working Pressure Elastomer	TFE
3/4"	1.00	2.75	4.25	0.63	4	4.34	5.13	2.97	6.31	0.50	0.25	1.56	4.72	150	50
1	1.00	3.13	4.25	0.63	4	4.34	5.13	2.97	6.31	0.59	0.25	1.56	4.72	150	50
1 1/2"	1.63	3.88	5.00	0.63	4	4.94	5.72	3.34	7.09	0.63	0.31	1.78	5.44	150	50
2"	2.06	4.75	6.00	0.75	4	6.09	7.09	4.13	7.88	0.83	0.31	2.16	6.46	150	50
2 1/2"	3.16	5.50	7.00	0.75	4	7.13	8.06	5.13	10.25	0.83	0.34	2.75	6.72	150	50
3"	3.16	6.00	7.50	0.75	4	7.13	8.06	5.13	10.25	0.83	0.34	2.75	6.72	150	40
4"	3.94	7.50	9.00	0.75	8	9.25	10.44	6.69	11.93	0.87	0.41	3.53	8.38	100	40
5"	4.94	8.50	10.00	0.88	8	11.22	13.00	8.28	13.78	0.87	0.56	4.34	9.38	100	25
6"	5.53	9.50	11.00	0.88	8	13.00	14.56	9.84	15.75	0.91	0.63	5.31	10.56	100	20
8"	7.88	11.75	13.50	0.88	8	15.31	16.71	11.81	19.69	1.02	0.72	6.69	12.06	70	20

Testing performed on PVC material at 73°F water temperature, non-shock.