

TVI THERMOPLASTIC VALVES INC.

STANDARD 4" SAFTEY BLOCK BALL VALVE

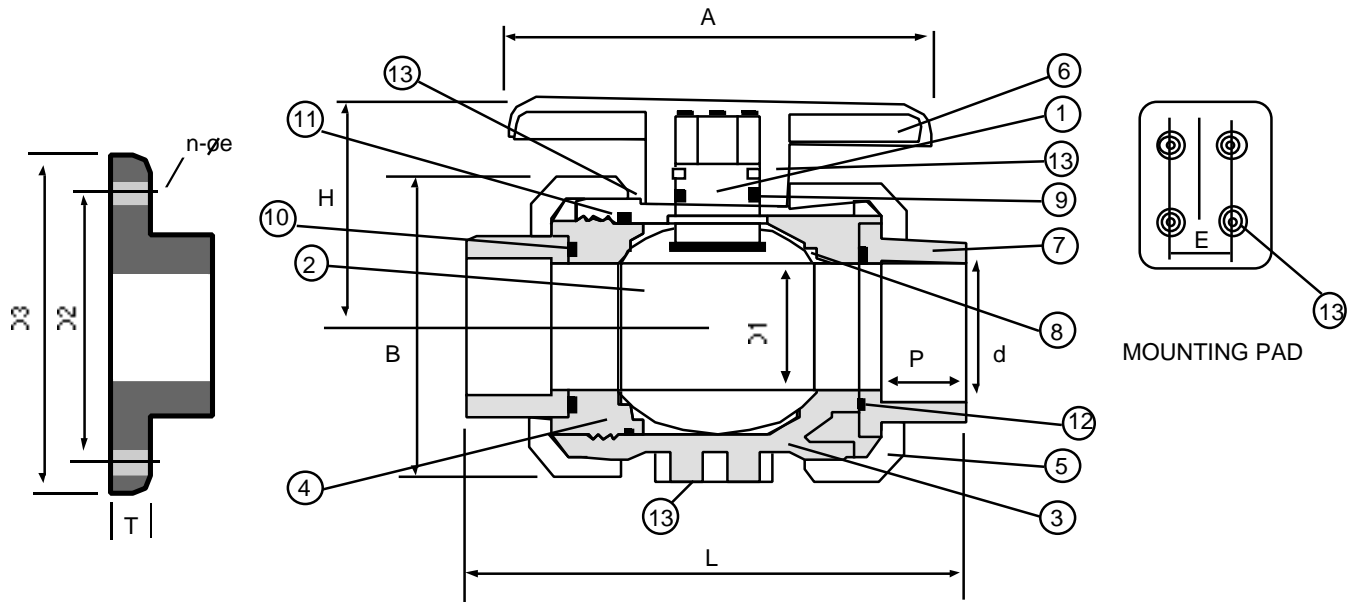
SIZE: 4"

DWN BY
CKP

DATE
1-96

DWG NO.
103-SB

CERTIFIED
CORRECT FOR GENERAL DIMENSIONS Date _____ Per: _____



Materials of Construction

Item	Parts	Pcs	Materials	ItemParts	Pcs	Materials	
1	Stem	1	PVC, PP, CPVC, PVDF	8	Seat	2	PTFE
2	Ball	1	PVC, PP, CPVC, PVDF	9	Stem O-Ring	1	EPDM, VITON®
3	Body	1	PVC, PP, CPVC, PVDF	10	Seat Carrier O-Ring	1	EPDM, VITON®
4	Seat Carrier	1	PVC, PP, CPVC, PVDF	11	Body O-Ring	1	EPDM, VITON®
5	Union Nut	2	PVC, PP, CPVC, PVDF	12	Solid End O-Ring	1	EPDM, VITON®
6	Handle	1	ABS	13	Mounting Pad Inserts	4	Brass
7	End Connector	2	PVC, PP, CPVC, PVDF				

VITON® is a trademark of DuPont Performance Elastomers

Ansi Dimensions

Size Inch	D1	D2	D3	d Socket	Thread	P	e	n	Socket	L Thread	Flange	A	T	H	B	E	working pressure (psi)
4"	4.02	5.500	7.000	4.518	NPT4"	2.250	0.750	8	12.80	12.80	15.18	10.79	0.866	6.69	8.90	1.93	150

4" valve available venturied to 6" size

Testing performed with PVC/EPDM valves at 73°F water temperature