

TVI THERMOPLASTIC VALVES INC.

ARRANGEMENT DRAWING POOL & SPA VALVE

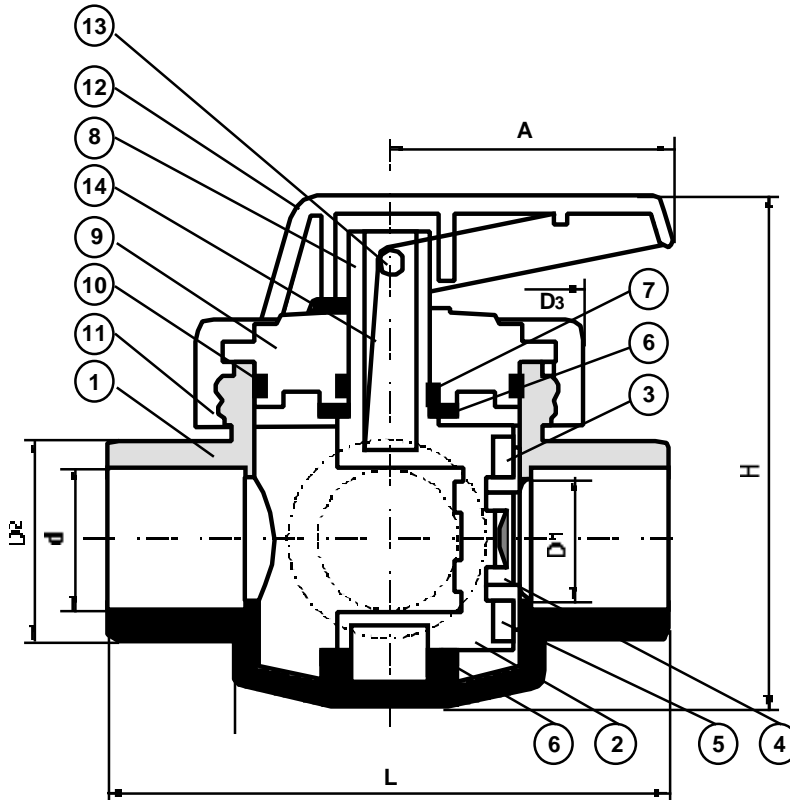
SIZE: 1 1/2" - 2"

DWN BY
CKP

DATE
1-96

DWG NO.
109-PSV

CERTIFIED
CORRECT FOR GENERAL DIMENSIONS Date _____ Per: _____



Materials of Construction

Item	Parts	Pcs	Materials	Item	Parts	Pcs	Materials
1	Body (2 Way or 3 Way)	1	PVC, ABS	8	Rotor Shaft	1	PPG
2	Rotor Gate	1	PPG	9	Lid	1	PVC, ABS
3	Seal Retaining Plate	1	PPG	10	Lid O-Ring	1	EPDM
4	Retaining Plate Screw	2	SUS304	11	Lid Lock Ring	1	ABS
5	Rotor Seal	1	EPDM	12	Handle	1	ABS
6	Bearing	2	ABS	13	Set Pin	1	BRASS
7	Rotor O-Ring	1	EPDM	14	Spring	1	SUS410

Ansi Dimensions

Size Inch	FLOW	d	D1	D2	D3	L	H	Unit: inches Working Press		
								A	PSI	
1 1/2"	2-Way	Socket	Thread	1.57	2.36	4.21	6.46	5.83	3.46	150
	3-Way	Socket	Thread	1.57	2.36	4.21	6.46	5.83	3.46	150
2"	2-Way	Socket	Thread	2.38	2.89	4.92	7.44	6.30	3.46	150
	3-Way	Socket	Thread	2.38	2.89	4.92	7.44	6.30	3.46	150