

TVI THERMOPLASTIC VALVES INC.

ARRANGEMENT DRAWING TRUE UNION DIAPHRAGM VALVE

SIZE: 1/2" - 2"

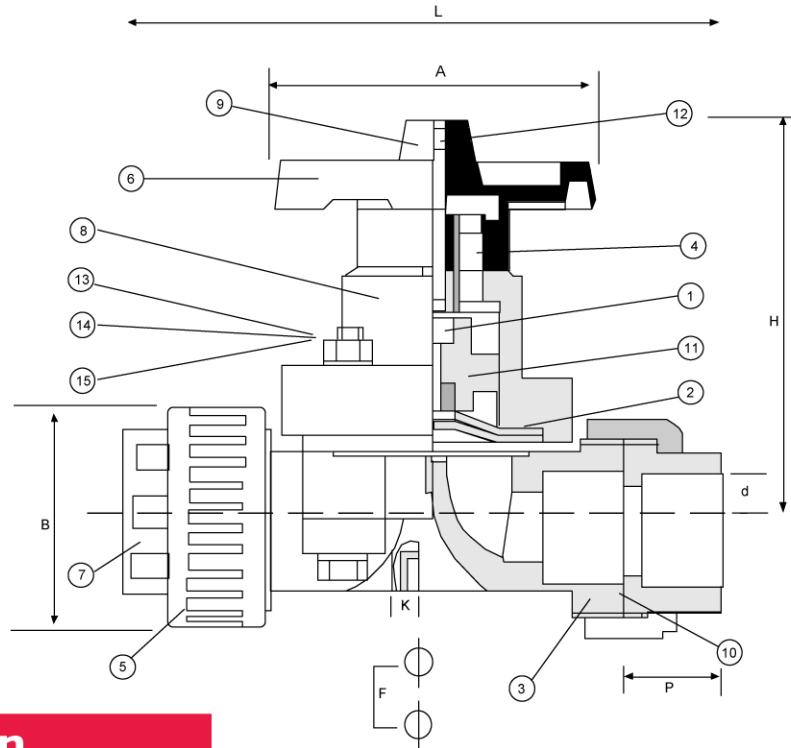
**DWN BY
CKP**

**DATE
1-96**

**DWG NO.
108-TUDV**

CERTIFIED

CORRECT FOR GENERAL DIMENSIONS Date _____ Per: _____



Materials of Construction

Item	Parts	Pcs	Materials	Item	Parts	Pcs	Materials
1	Shaft	1	Brass/PVDF	9	Gauge Cover	1	PC
2	Diaphragm	1	EPDM,TEFLON®	10	O-Ring	2	EPDM,VITON®
3	Body	1	PVC,PP,CPVC,PVDF	11	Compressor	1	PVDF/Brass/PPO
4	Sleeve	1	Brass/PVDF	12	Indicator	1	PE
5	Union Nut	2	PVC,PP,CPVC,PVDF	13	Bolt	4	SUS304
6	Handle	1	ABS/PPO	14	Nut	4	SUS304
7	End Connector	2	PVC,PP,CPVC,PVDF	15	Washer	4	SUS304
8	Bonnet	1	PPO				

TEFLON® & VITON® are trademarks of DuPont Performance Elastomers

Note: For valves to be used in sodium hypochlorite, factory must be consulted for alternate gasket material.

Ansi Dimensions

Size Inch	Socket	d Thread	P	B	L	H	A	F	K	Test Pressures in PSI	
										TFE Diaphragm	Rubber Diaphragm
1/2"	0.840	NPT1/2"	0.875	2.126	6.457	4.094	3.189	0.984	M6	104	150
3/4"	1.050	NPT3/4"	1.000	2.126	6.457	4.094	3.189	0.984	M6	104	150
1"	1.315	NPT1"	1.125	2.480	7.087	4.567	3.583	0.984	M6	104	150
1 1/4"	1.660	NPT1 1/4"	1.250	3.346	9.252	5.591	4.606	1.772	M8	104	150
1 1/2"	1.900	NPT1 1/2"	1.375	3.346	9.252	5.591	4.606	1.772	M8	104	150
2"	2.375	NPT2"	1.500	3.898	10.472	6.929	5.906	1.772	M8	104	150

Testing performed with PVC materials at 73°F water temperature, non-shock.