



**THERMOPLASTIC VALVES INC.**

**ARRANGEMENT DRAWING  
COMPACT BALL VALVE**

**SIZE: 1/2" - 4"**

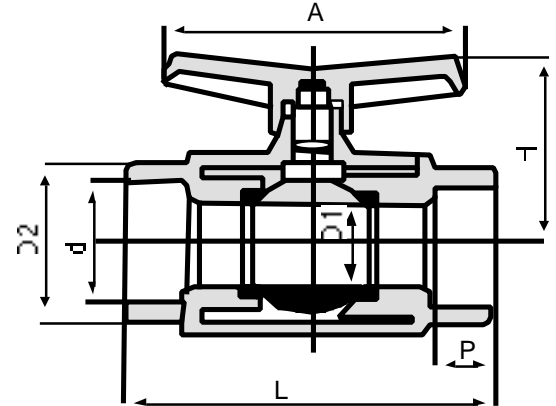
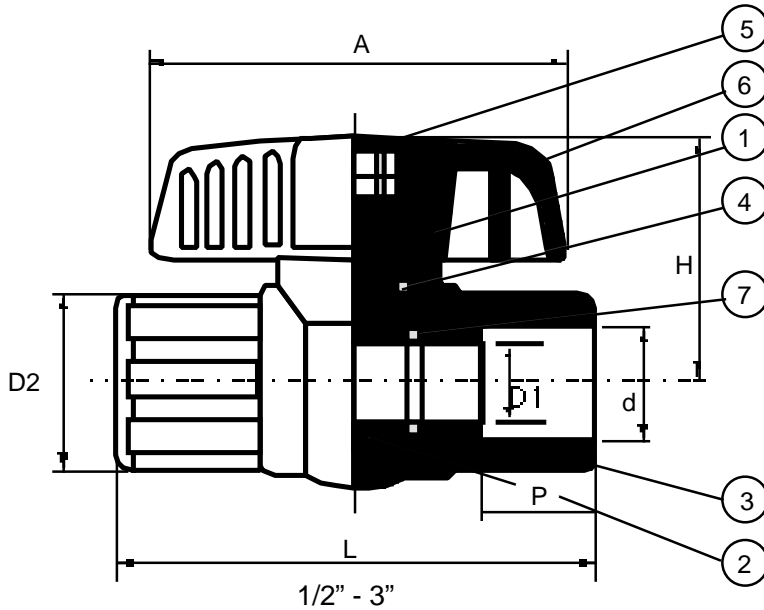
**DWN BY  
CKP**

**DATE  
1-96**

**DWG NO.  
103-CB**

**CERTIFIED**

**CORRECT FOR GENERAL DIMENSIONS** Date \_\_\_\_\_ Per: \_\_\_\_\_



**4" only**

**Materials of Construction**

Item	Parts	Pcs	Materials	Item	Parts	Pcs	Materials
1	Stem	1	PVC, CPVC	5	Cap	1	ABS
2	Ball	1	PVC, CPVC	6	Handle	1	ABS
3	Body	1	PVC, CPVC	7	Seat	2	EPDM, TEFLON®, VITON®
4	Stem O-Ring	1	EPDM, VITON®	TEFLON® is a trademark of DuPont Performance Elastomers			

**Ansi Dimensions**

Size Inch	D <sub>1</sub>	Socket	d	Thread	P	L	D <sub>2</sub>	H	A	Body Test Press PSI
1/2"	0.591	0.840		NPT 1/2"	0.875	3.110	1.378	1.820	2.756	222
3/4"	0.787	1.050		NPT 3/4"	1.000	3.543	1.575	2.244	3.031	222
1"	0.984	1.315		NPT 1"	1.125	4.134	1.890	2.402	3.504	222
1 1/4"	1.260	1.660		NPT 1 1/4"	1.250	4.764	2.126	2.598	3.504	222
1 1/2"	1.535	1.900		NPT 1 1/2"	1.375	5.000	2.441	2.913	4.370	222
2"	1.969	2.375		NPT 2"	1.500	5.866	2.953	3.150	5.472	222
2 1/2"	1.969	2.875		NPT 2 1/2"	1.750	7.638	3.622	4.213	6.378	222
3"	2.559	3.500		NPT 3"	1.875	9.173	4.409	5.512	7.480	148
4"	3.071	4.500		NPT 4"	2.250	9.606	5.236	6.575	9.055	148

Testing performed on PVC materials at 73°F water temperature, non-shock.