



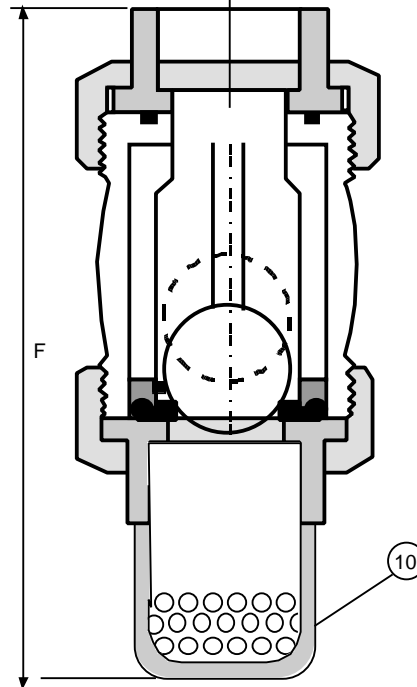
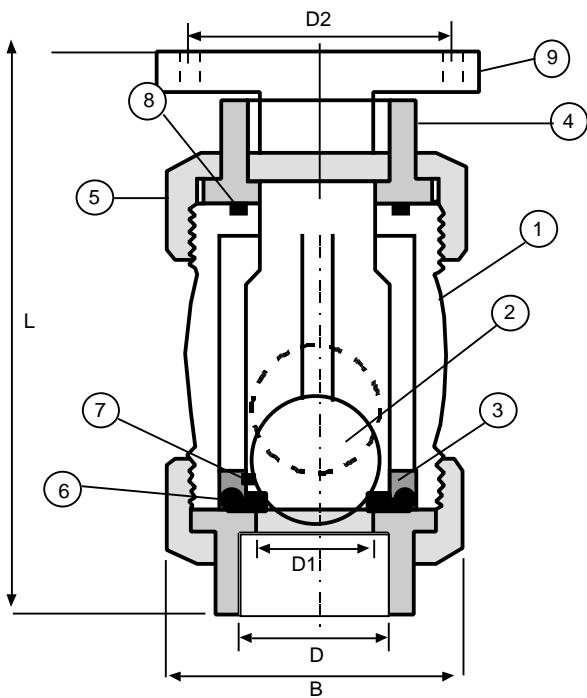
THERMOPLASTIC VALVES INC.

BALL CHECK VALVE AND BALL CHECK FOOT VALVE ASSEMBLY

SIZE: 1/2" - 4"

DWN BY CKP	DATE 1-96	DWG NO. 103-BC
----------------------	---------------------	--------------------------

CERTIFIED
CORRECT FOR GENERAL DIMENSIONS Date _____ Per: _____



- Less Than 1 PSI Pressure to Operate
- Operates in Vertical or Horizontal Installations
- One Piece Seat & Seal
- Excellent Flow Characteristics

Materials of Construction

Item	Parts	Pcs	Materials	Item	Parts	Pcs	Materials
1	Body	1	PVC,PP,PVDF,CPVC	6	Seat	1	EPDM,VITON®
2	Ball	1	PVC,PP,PVDF,CPVC	7	Seat Carrier O-Ring	1	EPDM,VITON®
3	Seat Carrier	1	PVC,PP,PVDF,CPVC	8	Solid End O-Ring	1	EPDM,VITON®
4	Connector	2	PVC,PP,PVDF,CPVC	9	Flanged Cut	1	PVC, PP, PVDF,CPVC
5	Union Nut	2	PVC,PP,PVDF,CPVC	10	Foot Valve Assembly	1	PVC

VITON® is a trademark of DuPont Performance Elastomers.

Ansi Dimensions

Size Inch	D1	d Socket	L Screw	Socket	Screw	FLG'D	B	D2	F	Working Pressure (PSI)
1/2"	0.598	0.840	NPT 1/2"	3.976	3.976	5.75	2.106	2.375	5.50	150
3/4"	0.771	1.050	NPT 3/4"	4.527	4.527	6.25	2.492	2.750	6.50	150
1"	0.984	1.315	NPT 1"	5.354	5.354	7.25	2.875	3.125	7.50	150
1 1/4"	1.259	1.660	NPT 1 1/4"	6.732	6.732	9.00	3.842	3.500	9.75	150
1 1/2"	1.574	1.900	NPT 1 1/2"	6.732	6.732	9.00	3.842	3.875	9.75	150
2"	1.968	2.375	NPT 2"	7.677	7.677	10.18	4.744	4.750	10.75	150
2 1/2"	2.559	2.875	NPT 2 1/2"	8.740	8.740	11.75	6.00	5.500	12.25	150
3"	3.150	3.500	NPT 3"	10.787	10.787	13.125	7.25	6.000	14.75	150
4"	3.937	4.50	NPT 4"	14.449	14.449	17.125	8.00	7.50	19.75	150