

TVI THERMOPLASTIC VALVES INC.

ARRANGEMENT DRAWING BUTTERFLY VALVE-GEAR TYPE

SIZE: 8" - 24"

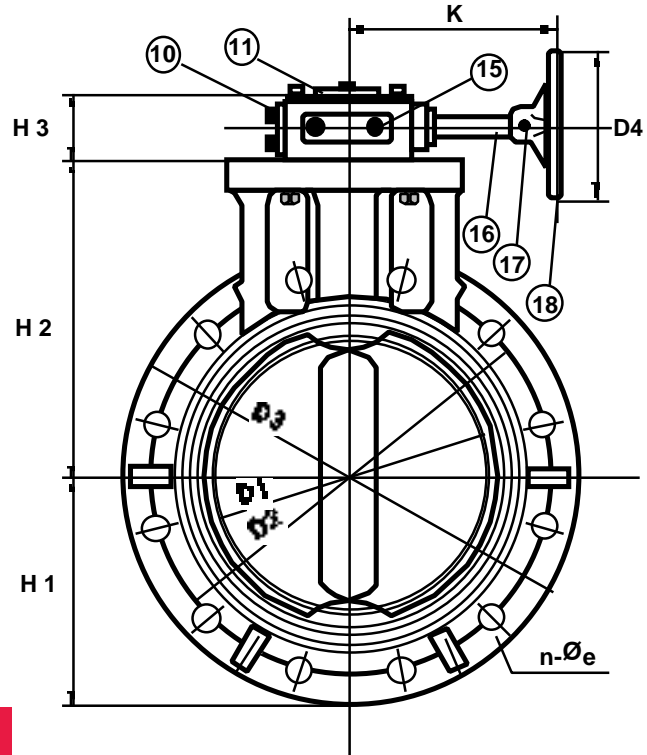
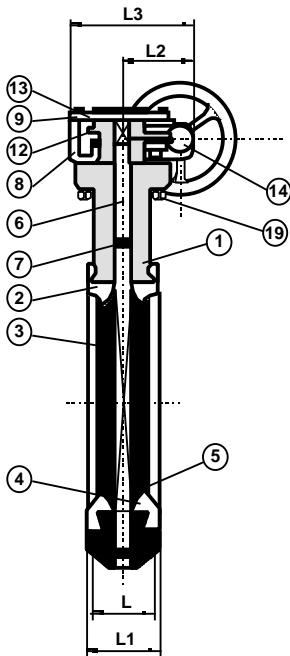
DWN BY
CKP

DATE
1-96

DWG NO.
102-BFV

CERTIFIED

CORRECT FOR GENERAL DIMENSIONS Date _____ Per: _____



Materials of Construction

Item	Parts	Pcs	Materials
1	Body	1	PVC,PP,PVDF, CPVC*
2	Seat	1	EPDM,VITON® BUNA N
3	Disc	1	PVC,PP,PVDF, CPVC*
4	Disc O-Ring (A)	2	EPDM,VITON®, BUNA N
5	Disc O-Ring (B)	2	EPDM,VITON®, BUNA N
6	Stem	1	SUS410, SUS304, SUS316
7	Stem O-Ring	2	EPDM,VITON®, BUNA N
8	Gear Box	1	C.I.
9	Gear Box Cap	1	C.I.
10	Side Cap	1	C.I.

*CPVC available to 12"

Item	Parts	Pcs	Materials
11	Indicator Plate	1	PVC
12	Gear	1	FORGEDSTEEL
13	Oil Seal	1	EPDM
14	Bearing	1	HEATTREATEDSTEEL
15	Adjustable Bolt	2	SS41
16	Gearing	1	SS41
17	Set Pin	1	STEEL
18	Hand Wheel	1	C.I.
19	Tightening Bolt	4	SUS304

VITON® is a trademark of DuPont Performance Elastomers

Ansi Dimensions

Size Inch	D1	D2	n	Ø e	D3	L	L1	H1	H2	H3	K	L2	L3	D4	Test Press (PSI)		Working Press (PSI)
															Body	Seat	
8"	7.99	11.75	8	0.88	13.27	2.99	3.43	6.61	8.03	2.72	7.01	2.01	5.35	5.63	222	177	150
10"	10.00	14.25	12	0.98	15.75	3.78	4.37	7.87	9.25	2.72	7.01	2.01	5.35	5.63	222	177	150
12"	12.28	17.00	12	0.98	19.02	4.57	5.20	9.41	11.38	4.05	8.35	2.83	7.44	9.61	155	125	105
14"	14.09	18.75	12	1.14	20.47	4.57	5.20	10.20	12.01	4.05	8.35	2.83	7.44	9.61	155	125	105
16"	15.69	21.25	16	1.14	23.62	6.02	6.65	11.89	13.90	4.05	8.35	2.83	7.44	9.61	133	103	88
18"	17.75	22.75	16	1.26	25.20	6.54	7.13	12.48	14.37	4.76	10.59	4.57	11.22	18.27	111	88	74
20"	19.70	25.00	20	1.26	27.99	6.73	7.48	14.37	15.94	4.76	12.99	4.57	11.22	18.27	74	59	52
24"	23.66	29.50	20	1.38	32.00	7.52	8.23	16.73	18.11	4.76	12.99	4.57	11.22	18.27	74	59	52

Testing performed on PVC/PP/EPDM valves at 73°F water temperature, non-shock.