

MASCOT



**High End
Technology**

**Tight
Shutoff**

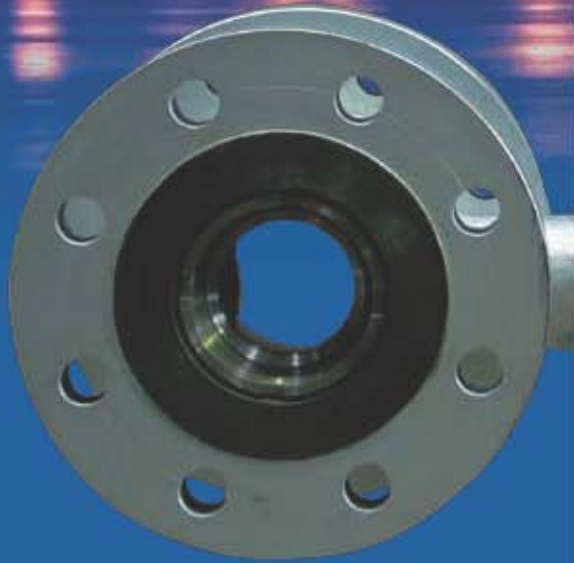


Reliability

**Expertise you
can trust**

EFLO Eccentric Plug

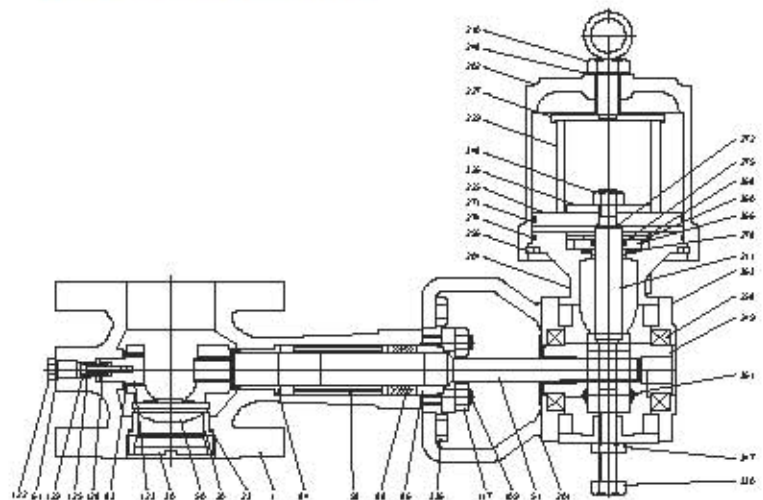




EFLO Specifications

Body Type:	Eccentric Plug – Rotary Globe
Size:	1.0" to 16.0"
Pressure Class:	ANSI CL150 to ANSI CL600
End Connections:	Flangeless, Flanged
Body Material:	Carbon Steel, 316SS, 304SS, Duplex SS, Hastelloy B&C, Zirconium, Titanium, Other Castable Alloys
Trim Material:	316SS, 304SS, Alloy 6, Alloy 20, Duplex SS, Hastelloy B&C, Inconel, Zirconium, Titanium, Tungsten Carbide, Ceramic
Shut off class:	Class IV and Class VI
Characteristics:	Equal Percentage, Linear
Air Pressure:	2.0 To 10.0 Bar
Rangeability:	160:1
Gland Packing:	PTFE, Braided PTFE, Grafoil
Actuator:	Pneumatic Spring Cylinder / Electric
Positioner:	High Performance Analogue & Digital

EFLO Components



ITEM NO.	PART NAME	ITEM NO.	PART NAME
		210	ADJUSTING SCREW
1	BODY	211	ACTUATOR STEM
20	SEAT RING	225	PISTON
23	SEAT SPACER (SHIM)	227	SPRING BUTTON
30	SEAT RETAINER	229	SPRING
50	PLUG	248	GASKET, ADJUSTING SCREW
51	SHAFT	249	LEVER ARM
61	ADAPTER O-RING	256	RETAINING RING, CYLINDER
83	BEARING, POST	258	BEARING, LEVER ARM
84	BEARING, SHAFT	271	PISTON O-RING
86	FOLLOWER PACKING	272	PISTON STEM O-RING
88	PACKING SET	274	CYLINDER O-RING
93	PACKING SPACER	275	ACTUATOR STEM O-RING
109	PACKING BOX STUD	278	BASE SLIDER O-RING
117	PACKING BOX NUT	326	SPRING GUIDE
122	PLUG, HEX. HEAD	330	STROKE STOP BOLT
123	POST	336	YOKE BOLT
125	LOCK WASHER	347	STROKE STOP JAM NUT
128	LOCKING CONE	348	ACTUATOR STEM LOCKNUT
129	POST LOCKING SCREW	360	SLIDING SEAL TOP CLAMP
201	YOKE	361	PIVOT PIN
202	CYLINDER	363	COVER PLATE
204	TRANSFER CASE	366	SLIDING SEAL COLLER
		368	SPIRAL RETAINING RING

EFLO Features

Design Features

- Heavy Duty Industrial Design
- High Cv Capacity
- High Rangeability (1 60:1)
- Different Trim Sizes
- Low Break Out Torque
- Metal Seat – Class IV Shutoff
- Soft Seat – Class VI Shutoff
- High Torque Actuator
- Wide Material Availability

Ease of Maintenance

- Minimal Spare Parts Requirements
- High degree of interchangeability between pressure ratings
- Actuators are field reversible from fail closed to open and vice versa
- 3 actuator sizes typically cover 95% of all actuator requirements for both fail open and fail closed

Quality Assurance

- ISO 9001
- Hydrostatic test to ASME B1 6.34
- Seat leak test to ASME / FCI 70-2





GFLO

High Performance Single Seated Globe Control Valve

Body type	2way, 3way, angle & jacketed
Size	0.5" to 30.0"
Pressure Class	Up to ANSI CL 4500
Body Material	All castable alloys
End Connections	Flanged, screwed, butt and socket welded
Bonnet	Standard, extended, cryogenic & bellow sealed
Guiding	Heavy duty double top stem
Gland Packing	PTFE, braided PTFE, grafal, low fugitive emission
Gaskets	PTFE, spiral grafal
Seat Ring	Clamped-in, self aligned
Plug	Solid one piece construction with large stem diameter
Characteristics	Equal percentage, linear and on-off
Special Trims	CAVFLO, MEGAFLO, GFLO VC
Actuator	Linear spring cylinder, fully field reversible
Shut off class	With metal seat - ANSI IV or V and replaceable soft seat - ANSI VI



VFLO

High Performance V-Ball Control Valve

Body type	One-Piece VFLO Ball, straight-through
Size	0.5" to 18.0"
Pressure Class	Up to ANSI CL 900
Body Material	All castable alloys
End Connections	Flangeless, flanged (integral and separable flange)
Gland Packing	PTFE, braided PTFE, grafal
Seat Ring	Clamped-in, self aligned, bi-directional
Ball	Segmented V-notch ball, reduces dogging, shearing action fibrous fluids
Shaft	Splined-No lost motion or dead band
Characteristics	Equal percentage, linear and on-off
Rangeability	300:1
Actuator	Rotary spring cylinder, fully field reversible
Shut off class	With metal seat - ANSI IV and replaceable soft seat - ANSI VI



DISKFLO

High Performance Wafer style Butterfly Control Valve

Body type	Wafer, light in weight, provides large flow and minimum pressure drop
Size	2.0" to 42.0"
Pressure Class	Up to ANSI CL 1500
Body Material	All castable alloys
End Connections	Wafer, lugged, flanged
Gland Packing	PTFE, braided PTFE, grafal
Seat Ring	Clamped-in, self aligned
Disc	Double eccentric cammed
Shaft	Splined no lost motion or dead band
Characteristics	Equal percentage, linear and on-off
Actuator	Rotary spring cylinder, fully field reversible
Shut off class	With metal seat - ANSI IV and replaceable soft seat - ANSI VI



SEVERE SERVICE

Cavitation, Noise Abatement, Velocity Control Trim

Applications:

- Anti-cavitation trims
- Noise attenuation trims
- Multistage "velocity control" anti-cavitation
- Trims for liquid applications
- Multistage "velocity control" noise attenuating trims
- Choke applications

MASCOT Industrial