

**MASCOT**



**High End  
Technology**

**Tight  
Shutoff**



**Reliability**

**Expertise you  
can trust**

**DISKFLO**  
High Performance Butterfly Valves





## DISKFLO

### Design Features

- Heavy duty industrial design
- High Cv capacity
- Eccentric cammed disk
- Double offset design
- Low break out torque
- Metal seat – class IV shutoff
- Soft seat – class VI shutoff
- High torque actuator
- Wide range of alloys
- Pressure ratings up to ANSI CL1500

### Quality Assurance

- ISO 9001
- Hydrostatic test to ASME B16.34
- Seat leak test to ASME / FCI 70-2

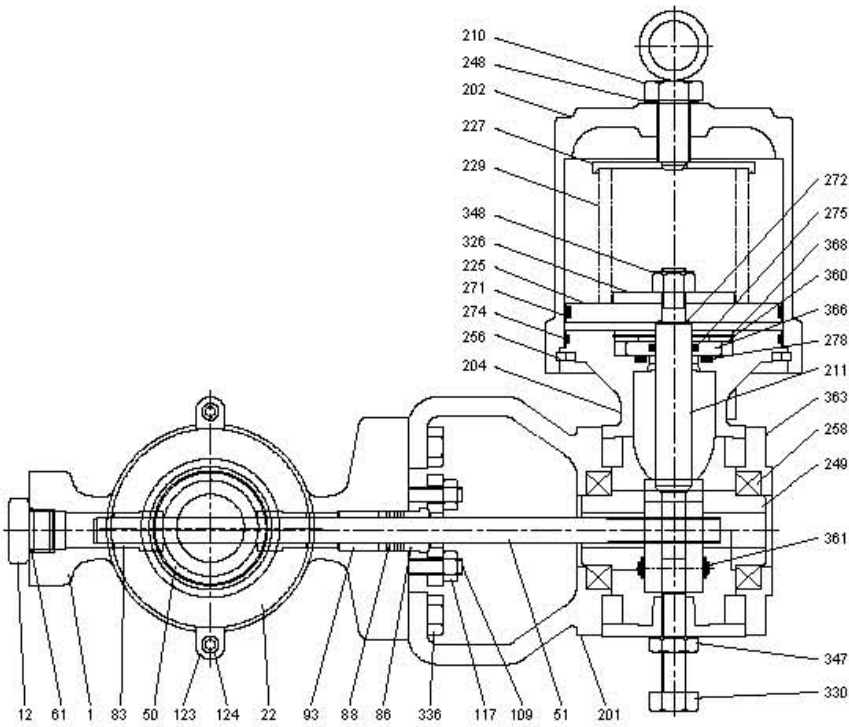
### Ease of Maintenance

- Minimal spare parts requirements
- High degree of interchangeability between valve sizes and pressure ratings
- Actuators are field reversible from fail closed to open and vice versa
- 3 actuator sizes typically cover 95% of all actuator requirements for both fail open and fail closed

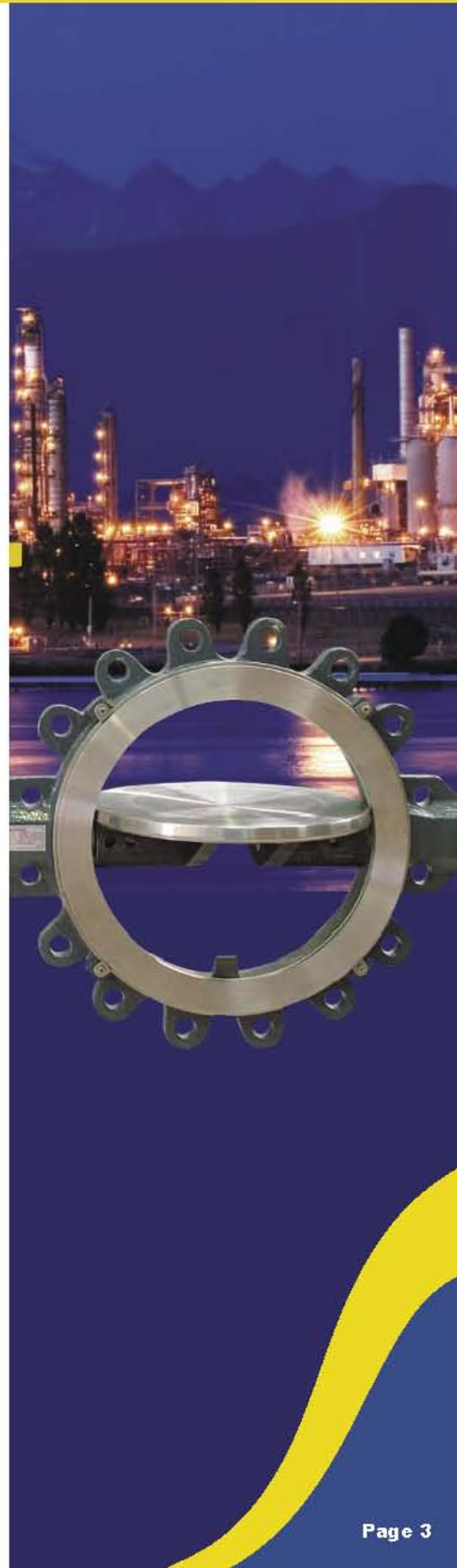
### Specification

Body Type:	Wafer, light in weight, provides maximum flow and minimum pressure drop
Size:	2.0" To 42.0"
Pressure Class:	Up to ANSI CL 1500
Body Material:	All castable alloys
End Connections:	Wafer, lugged, flanged
Gland Packing:	PTFE, braided PTFE, grafoil
Seat Ring:	Clamped-in, self aligned,
Disc:	Double eccentric cammed
Shaft:	Splined no lost motion or dead band
Characteristics:	Equal percentage, linear and on-off
Actuator:	Rotary spring cylinder; fully field reversible
Positioner:	High performance analogue and digital

## DISKFLO Components



1	Body	211	Actuator Stem
22	Seat Retainer	225	Piston
50	Disk	227	Spring Button
51	Shaft	229	Spring
61	Adapter O Ring	248	Gasket Adjusting Screw
83	Bearing Stem	249	Lever Arm
86	Follower Packing	256	Retaining Ring Cylinder
88	Packing Set	258	Bearing Lever Arm
93	Packing Spacer	271	Piston O Ring
109	Packing Box Stud	272	Piston Stem O-Ring
117	Packing Box Nut	274	Cylinder O Ring
122	Plug Hex Head	275	Actuator Stem Locknut
123	Clip	360	Sliding Seal Top Clamp
124	Bolt	361	Pivot Pin
201	Yoke	363	Cover Plate
202	Cylinder	366	Sliding Seal Coller
204	Transfer Case	368	Spiral Retaining Ring
210	Adjusting screw		





## GFLO

### High Performance Single Seated Globe Control Valve

Body type: ..... 2way, 3way, angle & jacketed  
 Size: ..... 0.5" to 30.0"  
 Pressure Class: ..... Up to ANSI CL 4500  
 Body Material: ..... All castable alloys  
 End Connections: ..... Flanged, screwed, butt and socket welded  
 Bonnet: ..... Standard, extended, cryogenic & bellow sealed  
 Guiding: ..... Heavy duty double top stem  
 Gland Packing: ..... PTFE, braided PTFE, grafoil, low fugitive emission  
 Gaskets: ..... PTFE, spiral grafoil  
 Seat Ring: ..... Clamped-in, self aligned  
 Plug: ..... Solid one piece construction with large stem diameter  
 Characteristics: ..... Equal percentage, linear and on-off  
 Rangeability: ..... 50:1  
 Special Trims: ..... CAVFLO, MEGAFLO, GFLO VC  
 Actuator: ..... Linear spring cylinder, fully field reversible  
 Air Pressure: ..... 2.0 to 10.0 Bar  
 Shut off class: ..... With metal seat - ANSI IV or V and replaceable soft seat - ANSI VI



## VFLO

### High Performance V-Ball Control Valve

Body Type: ..... One-Piece VFLO Ball, straight-through  
 Size: ..... 0.5" to 18.0"  
 Pressure Class: ..... Up to ANSI CL 900  
 Body Material: ..... All castable alloys  
 End Connections: ..... Flangeless, flanged (integral and separable flange)  
 Gland Packing: ..... PTFE, braided PTFE, grafoil  
 Seat Ring: ..... Clamped-in, self aligned, bi-directional  
 Ball: ..... Segmented V-notch ball, reduces clogging, shearing action fibrous fluids  
 Shaft: ..... Splined-No lost motion or dead band  
 Characteristics: ..... Equal percentage, linear and on-off  
 Rangeability: ..... 300:1  
 Actuator: ..... Rotary spring cylinder, fully field reversible  
 Air Pressure: ..... 2.0 to 10.0 Bar  
 Shut off class: ..... With metal seat - ANSI IV and replaceable soft seat - ANSI VI



## DISKFLO

### High Performance Wafer style Butterfly Control Valve

Body Type: ..... Wafer, light in weight, provides large flow and minimum pressure drop  
 Size: ..... 2.0" to 42.0"  
 Pressure Class: ..... Up to ANSI CL 1500  
 Body Material: ..... All castable alloys  
 End Connections: ..... Wafer, lugged, flanged  
 Gland Packing: ..... PTFE, braided PTFE, grafoil  
 Seat Ring: ..... Clamped-in, self aligned  
 Disc: ..... Double eccentric cammed  
 Shaft: ..... Splined no lost motion or dead band  
 Characteristics: ..... Equal percentage, linear and on-off  
 Actuator: ..... Rotary spring cylinder, fully field reversible  
 Shut off class: ..... With metal seat - ANSI IV and replaceable soft seat - ANSI VI

## SEVERE SERVICE

### Cavitation, Noise Abatement, Velocity Control Trim



Body Type: ..... 2way, angle & jacketed  
 Size: ..... 0.5" to 30.0"  
 Pressure Class: ..... Up to ANSI CL 4500  
 Body Material: ..... All castable alloys  
 End Connections: ..... Flanged, screwed, butt and socket welded  
 Bonnet: ..... Standard, extended, cryogenic & bellow sealed  
 Guiding: ..... Heavy duty double top stem  
 Gland Packing: ..... PTFE, braided PTFE, grafoil, low fugitive emission  
 Gaskets: ..... PTFE, spiral grafoil filled SS  
 Seat Ring: ..... Clamped-in, self aligned  
 Plug: ..... Solid one piece construction with large stem diameter  
 Characteristics: ..... Equal percentage, linear and on-off  
 Actuator: ..... Linear spring cylinder, fully field reversible  
 Air Pressure: ..... 2.0 to 10.0 Bar  
 Shut off class: ..... With metal seat - ANSI IV or V and replaceable soft seat - ANSI VI